

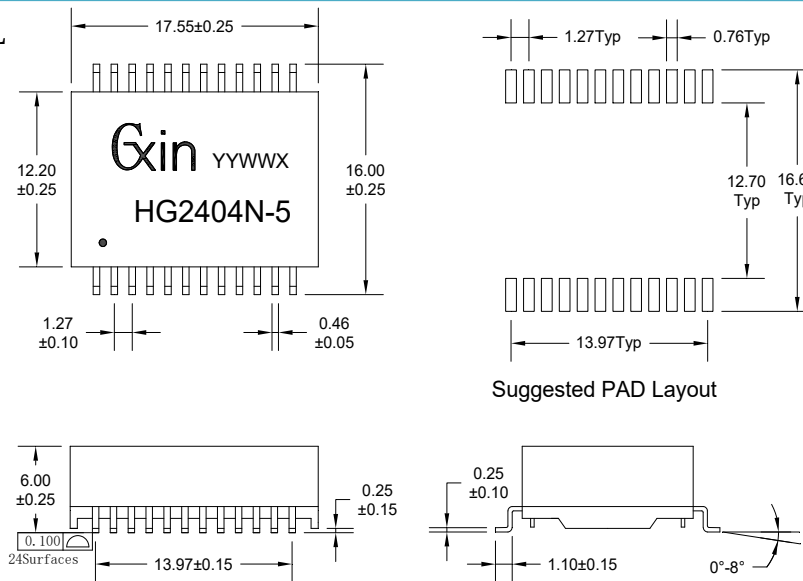
Feature

- Meets IEEE802.3bt/at & ANSI X3.263 Standards
- RoHS Compliant
- 10/100/1000 Base-T Surface Mount Type Open Header
- Suitable for PoE+ applications:
 - Supports 4 pair Power over Ethernet (PoE) up to 1500mA
 - Supports 2 pair Power over Ethernet (PoE) up to 750mA
- Operating Temperature Range: -40°C to +85°C



Electrical Specifications@25°C							
Part Number	OCL(uH Min) @100KHz/V with 8mA DC Bias	L.L (uH Max)	Cw/w (pF Max)	DCR (Ω Max)	HI-POT (Vrms)	T/R (±5%)	
						TX	RX
HG2404N-5	350	0.5	25	1.2	1500	1CT:1CT	1CT:1CT
Continue							
Part Number	Insertion Loss (dBMax)	Return Loss(dBMin)			Cross talk (dB Min)	DCMR (dB Min)	
		0.3-100MHz	0.5-30MHz	60MHz			60-100MHz
HG2404N-5	-1.1	-18	-13	-11	-35	-30	

MECHANICAL



SCHEMATICS

