

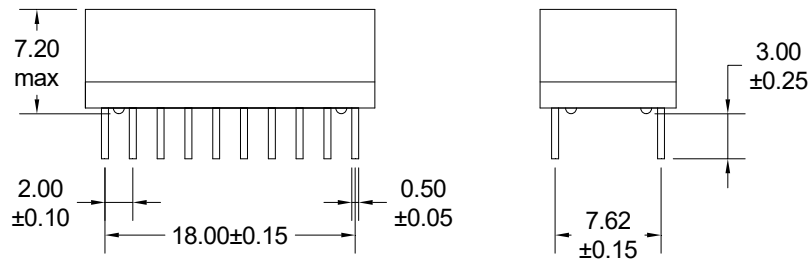
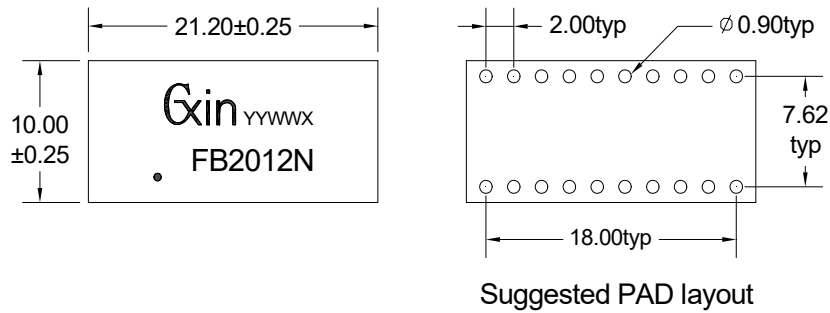
Feature

- Meets IEEE802.3&ANSI X 3.263 Standards
- RoHS Compliant
- 10/100 Base-T Through-Hole Type
- Operating Temperature Range: 0°C to +70°C



Electrical Specifications@25°C							
Part Number	OCL(uH Min) @100KHz/V with 8mA DC Bias	L.L (uH Max)	Cw/w (pF Max)	DCR (Ω Max)	HI-POT (Vrms)	T/R (±5%)	
						TX	RX
FB2012N	350	0.5	56	1.2	1500	1CT:1CT	1CT:1CT
Continue							
Part Number	Insertion Loss (dB Max)	Return Loss(dB Min)			Cross talk (dB Min)	DCMR (dB Min)	
		0.3-100MHz	0.5-30MHz	60MHz			
FB2012N	-1.1	-18	-13	-11	-35	-30	

MECHANICAL



SCHEMATICS

