

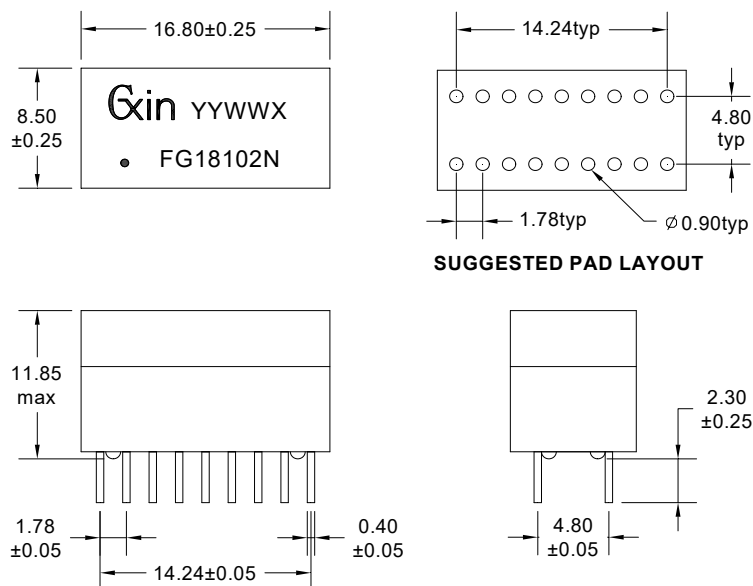
Feature

- Meets IEEE802.3&ANSI X 3.263 Standards
- RoHS Compliant
- 10/100/1000 Base-T Through-Hole Type
- Operating Temperature Range: 0°C to +70°C



| Electrical Specifications@25°C | | | | | | | |
|--------------------------------|--|--------------------|------------------|----------------|------------------------|------------------|-----------|
| Part Number | OCL(uH Min) @100KHz/V with 8mA DC Bias | L.L (uH Max) | Cw/w (pF Max) | DCR (Ω Max) | HI-POT (Vrms) | T/R (±5%) | |
| | | | | | | TX | RX |
| FG18102N | 350 | 0.5 | 90 | 1.2 | 1500 | 1CT:1CT | 1CT:1CT |
| Continue | | | | | | | |
| Part Number | Insertion Loss (dBMax) | Return Loss(dBMin) | | | Cross talk (dB Min) | DCMR (dB Min) | |
| | | 0.3-100MHz | 0.5-30MHz | 60MHz | | | 60-100MHz |
| FG18102N | -1.1 | -18 | -13 | -11 | -35 | -30 | |

MECHANICAL



SCHEMATICS

