

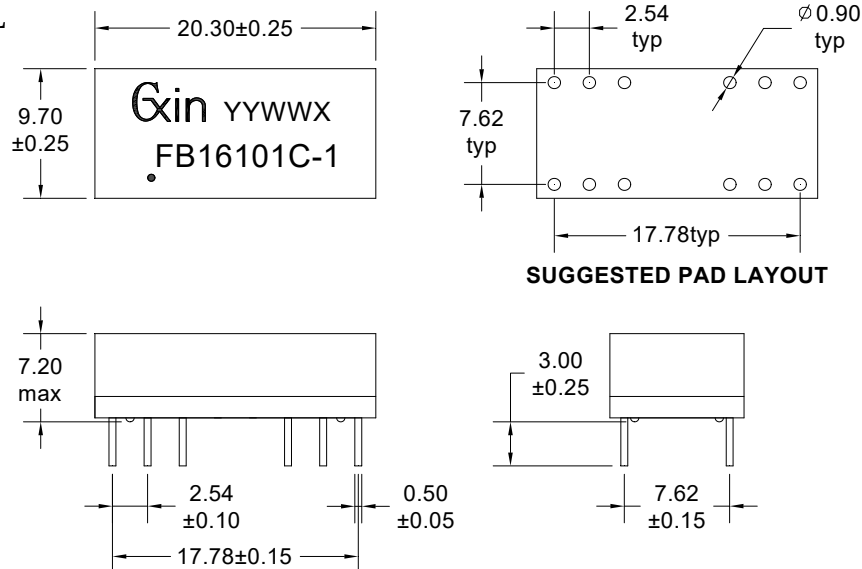
## Feature

- Meets IEEE802.3at&ANSI X 3.263 Standards
- RoHS Compliant
- 10/100 Base-T Through-Hole Type
- Suitable for PoE applications(350mA Max@57V continuous)
- Operating Temperature Range: 0°C to +70°C



Electrical Specifications@25°C							
Part Number	OCL(uH Min) @100KHz/V with 8mA DC Bias	L.L (uH Max)	Cw/w (pF Max)	DCR (Ω Max)	HI-POT (Vrms)	T/R (±5%)	
						TX	RX
FB16101C-1	350	0.5	56	1.2	1500	1CT:1CT	1CT:1CT
Continue							
Part Number	Insertion Loss (dB Max)	Return Loss(dBMin)			Cross talk (dB Min)	DCMR (dB Min)	
		1-100MHz	1-30MHz	30-60MHz			60-80MHz
FB16101C-1	-1.0	-18	-16	-14	-35	-30	

## MECHANICAL



SUGGESTED PAD LAYOUT

PIN: 4、5、12、13空脚

## SCHEMATICS

